



Punjab State Power Corporation Limited

GURU HARGOBIND THERMAL PLANT, LEHRA MOHABBAT

Regd. office: PSEB Head Office, The Mall, Patiala-147001.

Corporate Identity Number: U40109PB2010SGC033813, Website: www.pspcl.in

Phone: 0164-2756347, Fax No.: 0164-2756255, E-mail: sc-hq-op-lehra@pspcil.in

GSTIN: 03AAFCP5120Q1ZC

Enquiry No. 1433 /O&M/PC- 2348

Dated 24/08/22

From

Chief Engineer/O&M,
(Procurement Cell),
GHTP, Lehra Mohabbat-151111.

To
Regd.

limited enquiry letters

Memo No.

/PC- 2348

Dated:

Subject:-

Enquiry for the procurement of ceramic lined seats

(Date & time of receipt of tender-Upto 11.30 AM dt. }

09/09/2022

Date & time of opening of tender-12.00 PM dt.:

(In case opening date happens to be a holiday tenders shall be received & opened on next working day at the same time).

Dear Sir,

Please send your quotation in duplicate on firm prices for supply and delivery of items in accordance with general terms and conditions given in Annexure-'B' attached. The unit rates should be quoted in the same order as given in the schedule of requirement attached as Annexure-'A'. While quoting the enquiry number and date of opening of tenders must be legibly mentioned at right top corner of sealed cover.

Also please note that:-

- i) Competent authority may divide the quantities to be procured and place order on more than one firm.

"Certified that the rates quoted are reasonable and these are not more than those being charged from other Govt. Departments.

DA/Annexure A&B

Dy. Chief Engineer/HQs.
For Chief Engineer/O&M,
GHTP, Lehra Mohabbat.

CC:

- 1 Dy. CE/SE/_____, GHTP, Lehra Mohabbat. He is requested to check up the specifications and intimate if there is any discrepancy.
- 2 Notice Board, GHTP, Lehra Mohabbat.

3448/50
24/8/22

3 tender up load at P.S.P.C. web site

ANNEXURE-'A'

Enquiry No. 1433/O&M/PC-2348
Dated: 24-08- 2022
Due on 09/09 2022

SCHEDULE OF REQUIREMENT

Sr. No.	GHTP Code	Description of material	Quantity required
1	30101002	Ceramic Lined Seat with MS base for 2.5" Vent and Equalising Valve. For hot dry air and fly ash flow (abrasion resistant). Temp. upto 150 Deg.C Basic Dimensions: Base OD= 85.5mm, ID = 54.5mm, overall height = 31.6mm, Ceramic lining thickness = 10mm and its surface should be blue matched to zero- zero surface. (as per sketch attached)	50 No.

Note:-

1. The sample of seat can be seen at AHP Stage-I, GHTP Lehra Mohabbat on any working day.
2. The firm shall be fully responsible for the interchangeability of these items in the mother equipment at site. Interchangeability and test certificates will require to be furnished by the firm. Firm will prepare the drawing of the above said material and submit the same for approval before actual fabrication of material.
3. The firm will submit the material testing certificates from NABL accredited laboratory/Govt. Laboratory.
4. The firm shall certify that they have supplied the similar material to other organizations and submit the proof of supply.

Notes:-1. (i) The firm must have **GST Registration number & PAN No.** and same should be provided while quoting the rates. If the firm is registered under 'Composite Levies' then the same should be clearly mentioned in the quotation.

(ii) The firm must provide HSN Code in price schedule Performa in Annexure 'C'.

(iii) Bidder have to submit the documentary evidence (Latest copy of memorandum of Micro Small & Medium Enterprises field under section-8 of MSMED Act, 2006 duly acknowledged by competent authority) of being a Micro, Small & Medium Enterprise, If the bidder does not submit the proof at the time of submission of its bid, it shall be considered as a Large Enterprise.

(iv) Tax Rate as provided in quotation shall be final.

(v) Any change in GST Rate after the submission of quotation and before the supply (with in delivery period) will be in PSPCL account. However no extra payment on account of increase in GST Rate after the delivery period or supply of material will be made whichever is earlier.

(vi) Due to misclassification of HSN code increase in tax will be in supplier account. However due to misclassification of HSN code decrease in tax will be refunded to the PSPCL.

2. Negotiations, if at all required, shall be held only with the lowest tenderer.

3. Rates should be quoted by the suppliers in their quotations both in figures as well as in words as per Annexure-'C'.
4. Attached price break up schedule must be filled and prices must be type written.
5. **Tendering value less Rs. 5 lac EMD will not be applicable. Tendering value Rs. 5 Lac and above EMD @2% of the Tender value rounding to the multiple of Rs.10/- on higher side subject to minimum of Rs.10,000/- and maximum of Rs. 20 Lac.**
Note:- Tender value is to considered including all taxes and other charges. EMD will be applicable on Standardized Firms also.
6. **SECURITY DEPOSIT-** The successful Tenderers shall be required to submit Security deposit for faithful execution of the purchase order/Contract of value exceeding Rs. 1,00,000/- at the rate of three percent (3%) of ordered value rounded off to a multiple of Rs. 10/- on the higher side. Tenderers exempted from EMD up to Rs. 5.0 Lac will have to submit security deposit for Purchase Orders valued above 1.0 Lac.
Note:- As security deposit will not be applicable on supply of proprietary items and firms supplying material under DGS& D rate contract. Security deposit will be applicable on Standardized Firms also.
7. **The payment will be made through RTGS system of digital payments only instead of Cheque/DD. The firm must submit Bank A/c details with the quotation.**
8. **Your quotation must be valid for at least 120 days from the date of opening.**
9. Hand written/conditional quotation shall not be accepted.
10. All other terms and conditions of Annexure-B (attached) and PSEB/PSPCL Purchase Regulations, 2017, amended upto date, shall be applicable.
11. The firm should not be blacklisted by PSEB/PSPCL or any other Govt. Deptts./ Organizations.
12. Quantity mentioned in schedule of requirement can be divided and ordered on more than one supplier.
13. **The quotation/tender may be submitted either in person or through registered post but not through courier as courier service is not available at GHTP, Lehra Mohabbat.**
14. **"TDS u/s 194Q of Income Tax Act shall be deducted, as applicable."**

IMPORTANT NOTE:-



EMD IS PAYABLE THROUGH CASH RECEIPT OR THROUGH DEMAND DRAFT PAYABLE AT LEHRA MOHABBAT/RAMPURA PHUL IN FAVOUR OF AO/O&M,GHTP, LEHRA MOHABBAT.

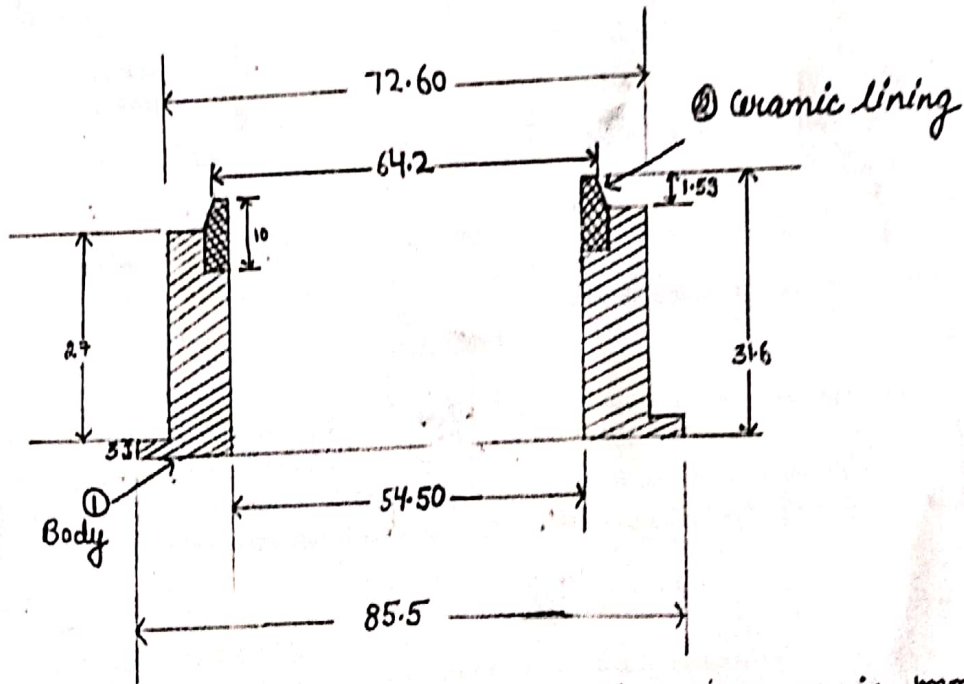
For
Dy.Chief Engineer/HQ,
Chief Engineer/O&M,
GHTP, Lehra Mohabbat.

Rough sketch

CP-3

Vent valve seat

PART NO.	Description	Material	
1.	Body	MS IS 2062 Galvanized	
2.	Ceramic liner disc	Alumina 95% Ceramic	



All dimensions are in 'mm'

Asp
10/8/22
AEE/AMP