



PUNJAB STATE POWER CORPORATION LIMITED

(Regd. Office : PSEB Head Office, The Mall, Patiala – 147001)

Corporate identity Number U40109PB2010SGC033813 Website: www.pspcl.in

OFFICE OF THE CHIEF ENGINEER / GGSSTP,

Dy.CE/Headquarter (Purchase Cell-3) V&P.O. GHANAULI, ROOPNAGAR-140113

Phone no. 01881-275289 E-mail: Se-hq-ggsstp-ropar@pspcl.in

To

The Joint Secretary/ Computerization,
PSPCL, The Mall,
Patiala-147001
E-mail: tender@pspcl.in

Memo No 6944

/EMP-12473

Dated 26-10-23

Subject: Uploading of 1 No. Limited Tender on PSPCL's Website.

Enclosed please find herewith through E-mail the attachment of the following limited tender issued by this office for uploading the same on the PSPCL's web site immediately.

Sr. No	Tender Enquiry No & Dated	Estimated Cost (Rs)	Remarks
1	7478/P-3/EMP-12473 dated 26.10.23	1.42 Lac	NIT

DA/As above


Dy. CE/HQR,
GGSSTP, Roopnagar

Punjab State Power Corporation Limited



(Regd. Office : PSEB Head Office, The Mall Patiala - 147001,
Corporate Identity Number : U40109PB2010SGC033813 Website: www.pspcl.in)

OFFICE OF THE CHIEF ENGINEER/GGSSTP,
(Dy.CE/Headquarter(Purchase Cell-3) V&P.O. GHANAULI, ROOPNAGAR-140113
(PH No: 01881-275289) E-mail : se-hq-ggsstp-ropar@pspcl.in

To

**Limited Tender enquiry,
On various firm's as per overleaf.**

Memo No. 6937/43 /P-3/EMP-12473
Dated 26-10-23

**Subject: Procurement of skid rollers assy. For gear box for HP-803
Mills stage-III units installed at GGSSTP, Ropar.**

Enquiry No. 7478 /P-3/EMP12473 Dated: 26/10/23
Date & Time of Receipt of Tender : 14-11-23 upto 11.00 A.M.
Date & Time of Opening of Tender : 14-11-23 at 11.30 A.M.

(In case opening date happens to be holiday, tender shall be
opened on next working date at the same time)

Dear Sirs,

Please send your sealed quotation in duplicate in the Performa attached on the firm prices for the supply and delivery of items as detailed in Annexure-'A' enclosed. Enquiry No. and date of opening of tender must be legibly mentioned at right top corner of sealed cover. General terms & conditions shall be as per Annexure-'B' attached. Your quotation should be in two parts. For each item, unit rates should be quoted strictly on the attached performa of pricing schedule. Please note that if quoted rates are not as per attached performa, the offer is liable to be rejected. Insurance and freight charges should be quoted separately.

Also please note that competent authority may distribute the quantities to be procured on more than one firm.

The offer must be kept valid for atleast 120 days as per clause

No-6 of Annexure-'B'

D/A- Annexure-A & Sketch


25/10/2023
Dy.CE/HQR,
GGSSTP, Roopnagar.

CC :-

- 1) Dy.CE/MMC-I, GGSSTP, Roopnagar
- 2) Dy.CAO, GGSSTP, Roopnagar.
- 3) Notice Board



Punjab State Power Corporation Limited

(Regd. Office :PSEB Head Office, The Mall Patiala – 147001)

GURU GOBIND SINGH SUPER THERMAL PLANT ROOPNAGAR

ANNEXURE-A

ENQUIRY NO. 7478

IP-3/EMP-12473

DATED 26/10/23

DETAIL OF MATERIAL AND TECHNICAL SPECIFICATIONS

Sr. no.	GGSSSTP Code	Description	Qty.
1	08050837	Skid Rollers Assy. For Gear box for HP-803 Mills as per sample and rough sketch-A	4 Mtrs.

Note:

- The rates of GST for each item should be indicated separately in the offer.
- The Firms should supply their GST Registration certificate along with offer/ quotation.

Terms and Conditions

- Fax/Telegraphic/e-mail tender shall not be accepted.
- The tender shall be sent in two separate envelopes as under:-
 - Part-1-** One envelope containing deposit of Earnest Money (if applicable)
 - Part-2-** The other envelope containing the Technical /Commercial and price bid.While opening the tenders, the envelope containing the Earnest Money (if applicable) shall be opened first and in case the deposit of Earnest Money is in accordance with the terms of notice inviting tender only then second envelope containing the Technical /Commercial and price bid shall be opened.
- The tender must be accompanied by EARNEST MONEY (if applicable as per Annexure-B). Bank details for refund of EMD (in case of unsuccessful bid) via RTGS mode must be provided by the bidder.**
- The rates should be quoted on **FOR destination basis** i.e GGSSTP Ropar giving break up of FOR Destination price for each item as per **Performa of pricing schedule** attached.
- The Performa for price schedule enclosed with specification shall be filled by tenderers duly typed and **hand written prices shall not be accepted.**
- In addition to the break-up of total price i.e. ex-works cost, GST, Freight, Insurance and Packing the bidders should also give split up of ex-works price.
- Split up of ex-works prices shall indicate cost of raw material, Labour component and overhead expenses.**
- Raw material can further be divided into 3-4 parts depending upon type of material.
- The offer should be kept valid for 120 days from date of opening of tenders.
- The bidders are not allowed to indicate over all discounts on the quoted price for which split up has been given as mentioned in Sr. No. 6 & 7 above. However, quantity/payment discount can be given by the tenderer in the main tender.

- 11) Any firm offering discount on the quoted price or after the opening of tender will be out rightly rejected.
- 12) Competent authority may distribute the quantities to be procured on more than one firm.
- 13) All pages of quotation should be duly signed & stamped
- 14) Quantity can be increased or decreased.
- 15) Relevant literature/catalogue should be sent along with quotation.
- 16) **Negotiation shall not be held except with lowest bidder.**
- 17) Random testing of material on receipt in GGSSTP Store irrespective of the fact whether or not it was inspected before despatch shall be carried out by PSPCL. In case of any failure the entire lot shall be rejected at the risk and cost of the supplier.
- 18) Any deviation from PSPCL's standard terms and conditions be clearly mentioned in quotation under "**Schedule of deviations**" otherwise all terms and conditions will be deemed to have been accepted.
- 19) **Firm should mention GST number in their offer.**
- 20) The firm whose **manufacturing units** are situated in State of Punjab shall be granted order preference as per Clause no. 29 of Annexure-B to the extent of 50% of total value by de-escalating their rates by 15% in comparative statement on submission of undertaking enclosed.
- 21) **Tenders should enclose copies of Orders/Contracts against which they have supply same material to Thermal Plant of other states.**
- 22) Any firm which at the time of opening of the Tender enquiry, falls in any of the following categories, shall be regarded as defaulter and shall not be eligible for participation in any new Tender enquiry for a period of three years from the date of issue of Purchase Order in which it has defaulted:-
 - a) The Firm is a defaulter for the supply of 35% or more quantity on the date of expiry of the Contractual Delivery Period for the total ordered quantity.
 - b) The Firm is a defaulter for the supply of any quantity for more than 6 months from the date of expiry of the Contractual Delivery Period for the total ordered quantity.This clause shall be applicable item wise (all types, sizes and ratings) against which the firm has become defaulter under the above said conditions.
- 23) Payments can be made through RTGS system of Digital Payments instead of cheques to the suppliers/firms/contactors whosoever gives the consent. All the bank charges related to RTGS are to be borne by the suppliers/firms/contactors.
- 24) Firm, which are registered with MSME are required to provide their registration certificate along with quotation. Please also note Clause no. 30(a) of Annexure-'B'
- 25) The firm should mention their complete address, official email ID & contact no. in the quotation.
- 26) **GST:-**
 - a) The firm must have GST Registration number and same should be provided while quoting the rates. If the firm is registered under Composite Levies' then the same should be clearly mentioned in the quotation.
 - b) The firm must provide HSN Code for all items in price schedule Performa in Annexure' B'
 - c) Tax Rate as provided in quotation shall be final.

d) Any change in GST Rate after the submission of quotation and before the supply (with in delivery period) will be in PSPCL account. However no extra payment on account of increase in GST Rate after the delivery period of supply of material will be made.

e) Due to misclassification of HSN code, increase in tax will be in supplier account. However due to misclassification of HSN code, decrease in tax will be refunded to the PSPCL.

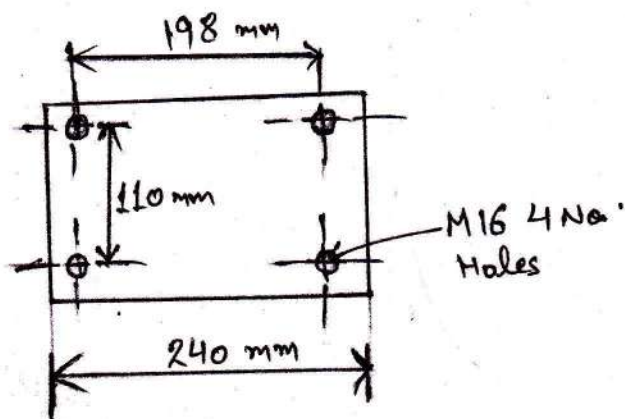
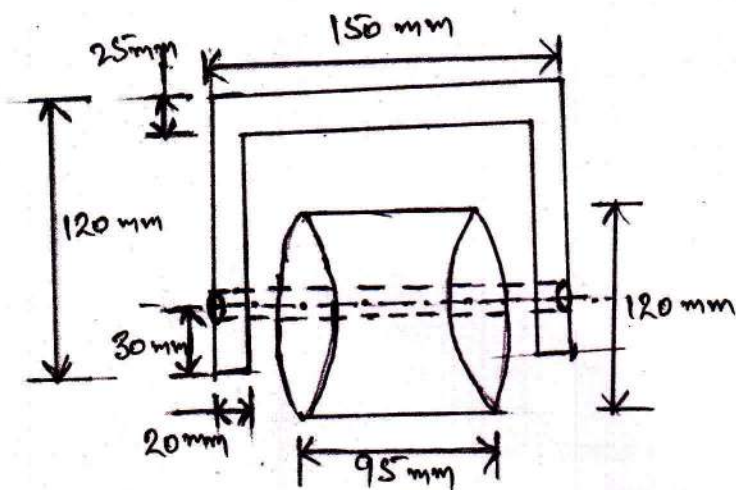
27) All other terms and conditions are as per Annexure - 'B' attached.

25/10/23
Dy.CE/HQR,
GGSSTP, Roopnagar.
M

27. If any new firm submits its tender who has never supplied the tendered item to PSPCL till the date of opening of the tender enquiry, its works appraisal shall be carried out before opening of the Part-III i.e. 'Price Bid' to ascertain its financial/technical capability to execute the order. The cost of work appraisal shall be borne by the firm and the same shall be as under:- Rs. 50,000/- in case of firms with works located outside Punjab and Rs. 25000/- in case of firms with works located within Punjab for appraisal to be carried out.

Rough Sketch of Skid Roller Assy.

Sketch-A



- * Sample can be seen at site
- * Skid roller requires to carry capacity of 12T-15T.
- * Material EN-353 for frame.
- * Wt/roller 24kg approx.

low.