



PUNJAB STATE POWER CORPORATION LIMITED

(Regd. Office : PSEB Head Office, The Mall, Patiala – 147001

Corporate identity Number U40109PB2010SGC033813 Website: www.pspcl.in

(SHORT TERM)

Open Tender Enquiry No. 294 /P-3/EMP-W 11751 dated: 05.11.20

Scope of Work: Modification/Repair, Fitting and Rubber lining of Acid Storage Tank GGSSTP Roopnagar

Time period: 45 days.

EMD: Rs. 6,000/-

Last date & time for sale of tender document: 23.11.20 & 5.00 PM

Date & time up to which tender shall be received: 25.11.20 & 11:00 AM

Date & time of opening of tender: 25.11.20 & 11:30 AM

A set of tender documents containing detailed technical specifications, General instructions and terms & conditions can be obtained from SE/Monitoring, V & P.O. Ghanauli, GGSSTP, Rupnagar on payment of **Rs.500 + GST @18%** by cash or demand draft drawn in favour of Accounts officer /O&M, GGSSTP, Rupnagar payable at Rupnagar (Ropar) Punjab.

Note: The prospective bidders are requested to visit the PSPCL's website: www.pspcl.in periodically even after purchasing the tender documents to check for corrigendum issued, if any. No corrigendum shall be published in newspaper


6/11/2020
SE/HQ,
GGSTP, Rupnagar

6/11/20

Save Electricity for Prosperity of Nation.

PUNJAB STATE POWER CORPORATION LIMITED
(GURU GOBIND SINGH SUPER THERMAL PLANT)
TENDER SPECIFICATION

Sealed tenders are invited in duplicate from experienced and reputed firms for following jobs as per tender specifications:

Modification/Repair, Fitting and Rubber lining of Acid Storage Tank GGSSTP

Roopnagar

Enquiry No: 294 Dated: 05.11.20

Last date & time of sale of tender documents	:	23.11.20 upto 11.00Hrs.
Last date & time of receipt of tenders	:	25.11.20 Up to 11.00 Hrs.
Date & time of opening of tenders	:	25.11.20 at 11.30 Hrs.
Cost of tender specifications	:	Rs. 500/- + GST@18%
Earnest money	:	Rs. 6,000/-

TERMS AND CONDITIONS:

- 1 Tenders of those bidders who have purchased the tender documents/specifications shall only be opened.
- 2 PQR:

A) Tenders of only those technically suitable firm /contractor will be considered who are registered with PSPCL/PSTCL, NTPC and other such state/central Govt. organizations (on submission of valid registration certificate) for the jobs of:-

"Breakdown/Preventive Mtc. & Overhauling jobs of DM Plant/Water Treatment Plant" AND/OR "Erection/fabrication/replacement/repair/laying/fitting of tanks/pressure vessels/pipe lines" AND/OR "Rubber lining works of tanks, pipes and fitting etc"

B) The firm should have proof of having successfully completed/being executed the jobs of:

"Breakdown/Preventive Mtc. & Overhauling jobs of DM Plant/Water Treatment Plant AND/OR Erection/fabrication/replacement/repair/laying/fitting of tanks/pressure vessels/pipe lines AND/OR Rubber lining works of tanks, pipes and fitting etc" at Thermal/ Nuclear/ Gas power plants or any other heavy industries like Petrochemical Plants, Cement manufacturing plant, Fertilizer Plant, Pharmaceutical Plant during last 7 years ending 30-09-2020 either of following:-

- a) Three same works as above costing (including all taxes) not less than Rs. 74,340/- each

OR

b) Two same works as above costing (including all taxes) not less than Rs. 89,210/- each
OR

c) One same work as above costing (including all taxes) not less than Rs. 1,48,700/- each
C) **Annual Turn Over:** Average annual financial turn over during the last three year, ending March of the previous financial year, should be at least Rs. 1,48,700/-

D) **Bank Solvency:** Latest bank solvency certificate of minimum Rs. 2,97,400/- Bank solvency certificate should not be more than 12 months old.

3 **Pre Qualification Requirement for registration:**

Any prospective bidder can apply for registration having proof of successful completed/being executed the jobs of:

" Breakdown/Preventive Mtc. & Overhauling jobs of DM Plant/Water Treatment Plant AND/OR erection/fabrication/replacement/repair/laying/fitting of tanks/pressure vessels/pipe lines AND/OR Rubber lining works of tanks, pipes and fitting etc" at Thermal/ Nuclear/ Gas power plants or any other heavy industries like Petrochemical Plants, Cement manufacturing plant, Fertilizer Plant, Pharmaceutical Plant during last 7 years ending 30-09-2020 either of following:-

a) Three same works as above costing (including all taxes) not less than Rs. 74,340 each
OR

b) Two same works as above costing (including all taxes) not less than Rs. 89,210/- each
OR

c) One same work as above costing (including all taxes) not less than Rs. 1,48,700/- each


Those tenderers who consider themselves eligible for participation can get themselves registered with GGSSTP by submitting the attested copies of following documents along with non-refundable registration fee of Rs. 1000/-+ GST@18% (Rs. One Thousand plus GST@18%) in cash receipt or through demand draft in favour of AO/GGSSTP, PSPCL, Ropar payable at Ropar fulfilling the following criteria:-
For Registration:-

Name & address of office for Registration of firms
Dy. Chief Engineer/Mech. Mtc. Circle-I,
GGSSTP, PO-Ghanauli-140113 Rupnagar (Pb).
Phone: 01881-274245, Fax: 01881-27432

- i) Copies of work orders and completion certificates for experience as per PQR.
- ii) Copies of Audited balance sheets over during the last three financial years, ending 31st March of previous financial year.
- iii) Bank solvency of minimum Rs. 2,97,400/-. Bank solvency certificate should not be more than 12 months old. Average annual financial turn over during the last three year, ending March of the previous financial year, should be at least Rs. 1,48,700/-.
- iv) Proof of PAN and Proof of Goods and service tax (GST) registration number.
- v) Proof of independent EPF account number.
- vi) EPF clearance certificate: EPF clearance certificate for last financial year needs to be obtained. In the event of non-availability of clearance certificate proof of deposit of EPF for last two years shall be required.
- vii) Proof of having ESI Code number.

- viii) An Affidavit in original dully attested by an Executive Magistrate/Notary to the effect that
- a) The firm is not defaulter in respect of deposition of EPF/ESI to the concerned EPF/ESI department for workers deployed against work orders placed by PSPCL or any other organization on it during last five years. In any case, the responsibility for deposition of EPF/ESI of workers engaged by the firm shall rest with the firm only. In case firm is found defaulter at any stage in this regard, the contract shall be cancelled without any notice.
 - b) That the firm has not been black listed by any government/public sector undertaking during the last 5 years.
4. **EMD:** - The tenderers shall be required to submit earnest money of **Rs 6,000/- (Rs. Six ThousandOnly)**, through demand draft in favour of AO/GGSSTP, PSPCL, Ropar payable at Ropar.
Public sector undertakings fully owned by Punjab Government/center Government/ Other state Government shall be exempted from depositing earnest money, provided that the certificate of Government ownership shall be submitted in envelope for Earnest Money.
5. The firm shall have an independent EPF code number issued from the concerned RPFC authority.
 6. The firm shall have to obtain license under Contract Labour Regulation and Abolition Act-1970 before undertaking the work and shall abide by various provisions/rules framed there under.
 7. The firm shall have valid GST no. and are registered with the concerned Department.
 8. The firm shall comply with all the regulations of ESI act, amended for time to time and shall keep PSPCL free from any liability arising at any stage.
 9. CE/O&M GGSSTP Rupnagar reserves the right to refuse issue of tender documents to any contractor/ firm without assigning any reason and also to reject any or all offers without assigning any reason and no claim on this account will be accepted.
 10. Tenders received through telegraph, telex, fax or e-mail shall not be considered at all.
 11. In case the date of opening of tenders happens to be a holiday, the tenders will be received and opened on the next working day at the same time and place.
 12. Tenders of those firm shall be rejected who are black-listed or with whom business dealing are suspended by PSPCL.
 13. In case of any dispute regarding issue of tender documents or any other dispute, C.E., GGSSTP, Ropar, shall be the final authority and no claim on this account shall be accepted.
- 0

- 14 Quotation/Tender should be enclosed in double covers both addressed to Dy CE/Hq, GGSSTP, PO: Ghanauli, Distt. Ropar (PB) PIN-140113. Both inner & outer covers shall be sealed and super scribed with Tender Enquiry No. as given on the enquiry/Tender Notice together with the date on which the tender opening is due and also the name of work.
- 15 Bid should be submitted in two parts.
Part 1: Tender document fee & Earnest Money Deposit
Part-II: Price bid.
- 16 Splitting of work: Chief Engineer/GGSSTP reserves the right to split up the work in the scope of this contract among more than one contractor.
- 17 Tender evaluations- The tender evaluation shall be done on the basis of overall lowest rates.
- 18 Tenders will be considered if the registration of the firm is done on or before the last date of registration.


S.E., Hq,
GGSSTP, P.S.P.C.L,
P. O. Ghanauli, Ropar-140113.
5/11

Cation Tank
(To be Modified as per Figure-2)

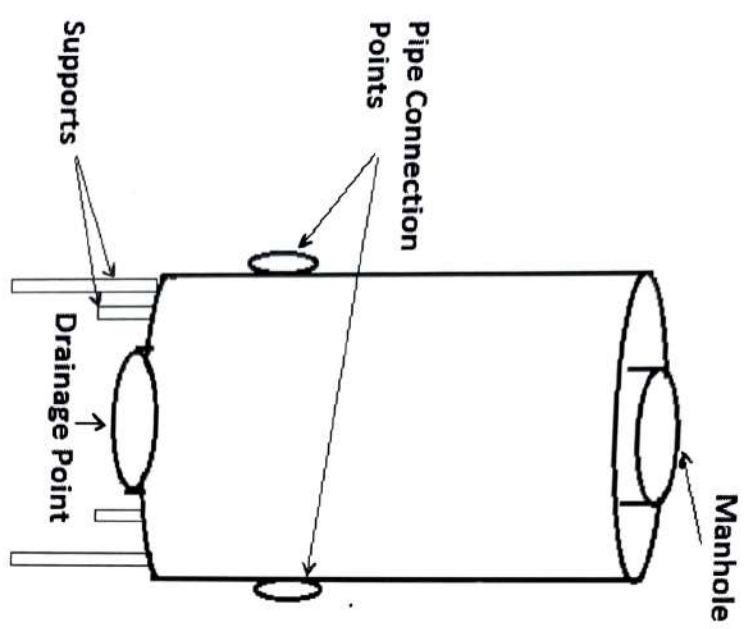


Figure-1

Acid Storage Tank

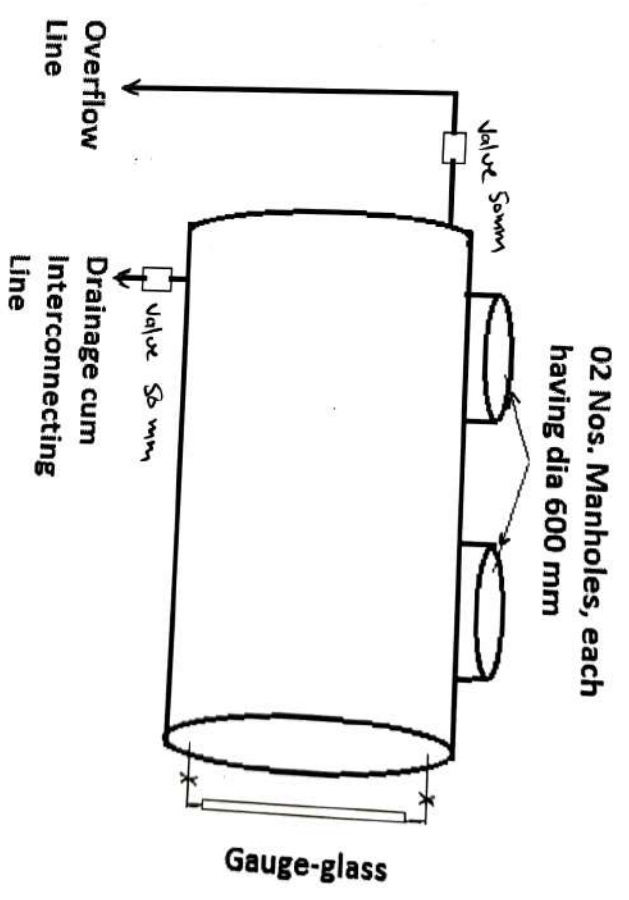


Figure-2

Annexure-II**Technical Specification of Acid Storage Tank (For Rubber lining)**

Sr. No.	Description	No. of Tanks	Diameter of Tank	Height	Approximate Surface Area
1.	Cation Tank of Stage-I to be installed at DM Plant Stage-II after modification /fabrication and Rubber lining.	01	2.4 Meter	3.5 Mete	35.4 M ²
2.	Associated valves, pipellnes etc.	-	-	-	4.5 M ²
Total Surface Area					39.9 M ²
Say 40.0 M²					

P

SCOPE OF WORK

Subject: Modification/Repair, Fitting and Rubber lining of Acid Storage Tank GGSSTP Roopnagar

1. Firm will modify/fabricate the old tank as per drawing placed at Annexure-I. Technical specifications of tank to be rubber lined after modification/fabrication are placed at Annexure-II. Welding/machining/re-conditioning work shall also be in firm's scope.
2. Preparation of surface by sand blasting/burning/chipping and rubber lining in Acid Injection Tank as per IS:4682 Part-I.
3. Transportation of Tank, if required, will be in firm's scope.
4. The rubber sheets, welding electrode, cutting gas, nut-bolt and all other consumables/non-consumable material required for the entire job will be arranged by the firm
5. The firm will arrange all the T&P required for work.
6. The firm will arrange for spark testing to check continuity of rubber lining as per IS: 4682 Part-I.
7. The firm will arrange for hardness testing of rubber lining as per tender specifications.
8. After clearance and through checking by Engineer-in-charge firm will properly fit/install newly fabricated/modified tank at DM Plant Stage-II as decided by Engineer-in-charge.
9. In case during fitting of Acid storage tank any damage is made to foundation, then firm will set right it as per actual with no extra cost.
10. During fitting of Acid storage tank if any extra support/ modification/packing is required for foundation where the tank will rest, then firm will provide the same with no extra cost.
11. Any other work required for completion of the job as decided by Engineer-in-charge will be in the scope of the firm.
12. The thickness of rubber lining will be 5 mm (2.5 mm x 2 layers) in case of tanks and 3 mm in case of pipe lines and fittings.
13. The hardness of rubber lining shall be $65 \pm 5^{\circ}$ shore 'A'. The rubber is to be used for lining shall be natural rubber.

Scope of Supply by Contractor

- A) The firm shall arrange its own tools & tackles/T&P required for cutting, grinding, welding set & welding lead etc., lowering and lifting/shifting of Tank.
- B) The firm shall provide Labour and supervision with adequate knowledge and skill to carry out the jobs to the entire satisfaction of PSPCL.
- C) Welding electrodes of good quality grinding wheels, emery paper, Nut-bolts, Thimbles, D.A. gas, Oxygen gas etc. required for work shall also be arranged by the firm.
- D) Any other consumable required for the entire scheme shall be in the scope of the firm/Contractor.
- E) Dismantled material shall be board's property and it shall be transported or returned to PSPCL store by firm/Contractor.
- F) Contractor will arrange its own Tractor-trolley.

PSPCL's Scope

- a. Available compressed air, steam for vulcanizing, water, electricity and space for storing the material shall be provided by PSPCL while carrying out the job at GGSSTP site free of cost. Also, electrical hoists/ cranes wherever installed shall be provided free of cost, subject to its availability.
- b. Accommodation, if available shall be provided to the Company Engineer/ Supervisor/ Workers in GGSSTP Field Hostel / Subordinate Rest House on payment basis.
- c. Firm will use 12 mm thick MS plate for modification/fabrication of tank wherever required. MS sheet (12 mm) will be provided by PSPCL.
- d. Hydra-crane, if available, may be provided to Contractor/firm for installation/shifting of Tank within plant only.

PERFORMA FOR QUOTING RATES:

Sr. No.	Description of work	Amount (Rs.)
1.	Modification/Repair, Fitting and Rubber lining of Acid Storage Tank at DM Plant Stage-II GGSSTP, including removal of old damaged rubber lining and preparation of surface, as per scope of work.	
Total Amount (Rs.) =		

Total Amount (In Figures) =
 Total Amount (In Words) =

Signature of the Tenderer.

NOTE:-

1. The rates should be quoted FOR GGSSTP site.
2. Tentative rate should be exclusive Goods & Service tax. The tenderer should quote GST (if any) separately.
3. The tender evaluation shall be done the basis of overall lowest rates.
4. This Performa for quoting rates is for Sample purpose.
5. The firm may visit the site at GGSSTP before quoting the rates.
6. L-1 shall be considered on the basis of "Total Amount (overall rates)". Work to be done through single contractor/firm.